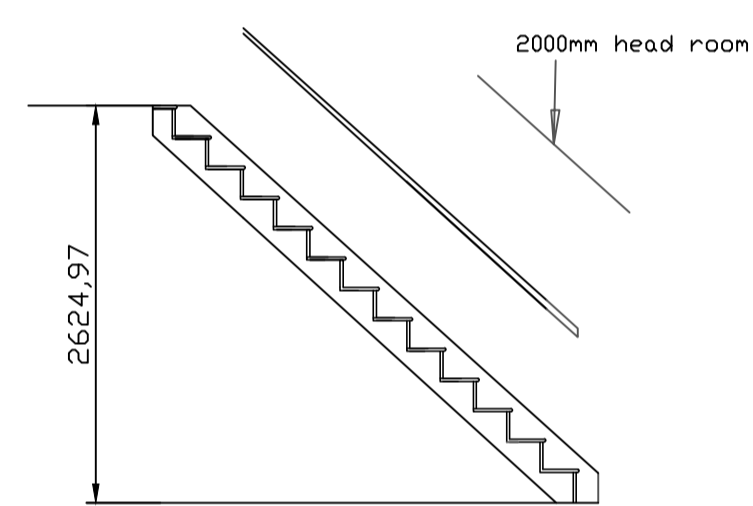
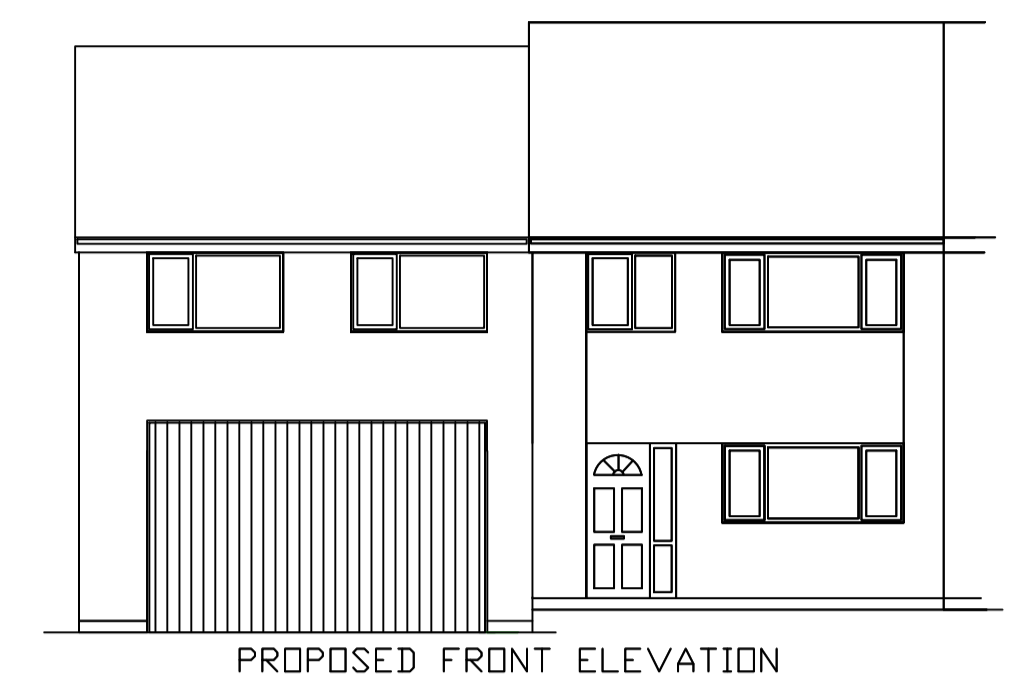
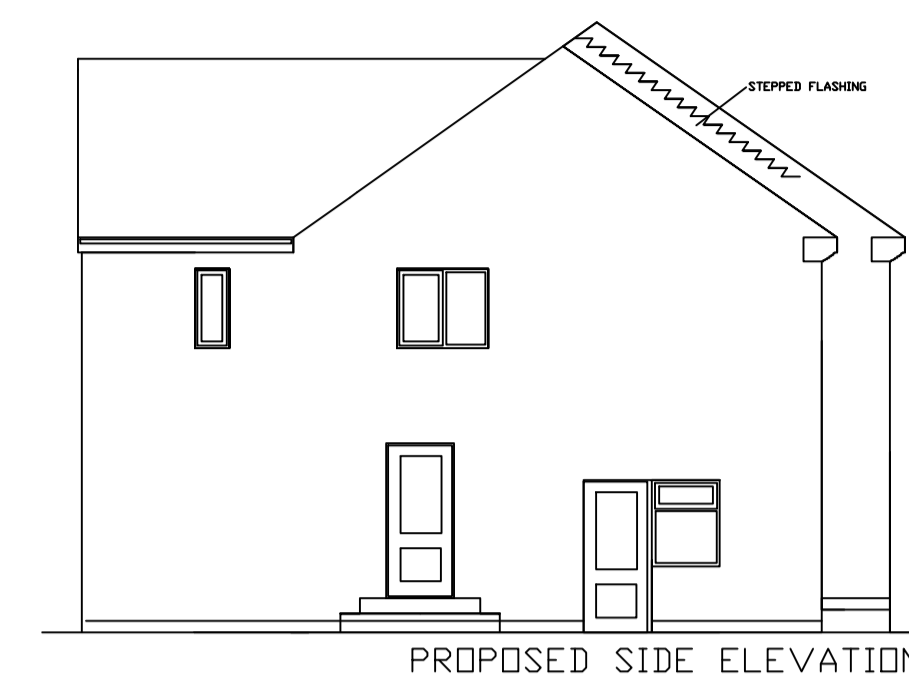
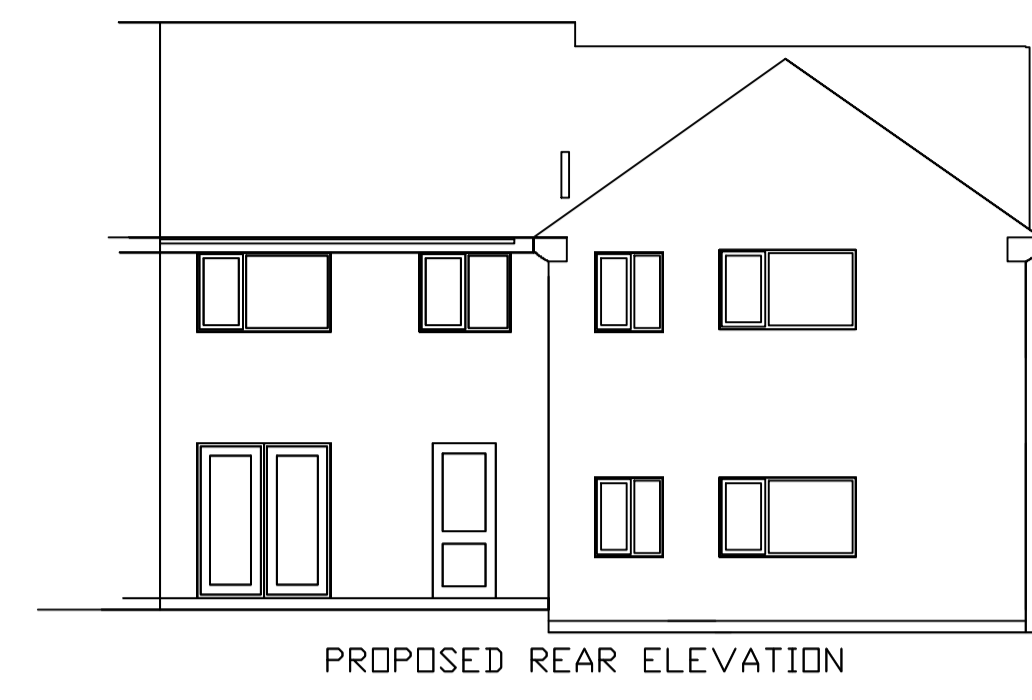
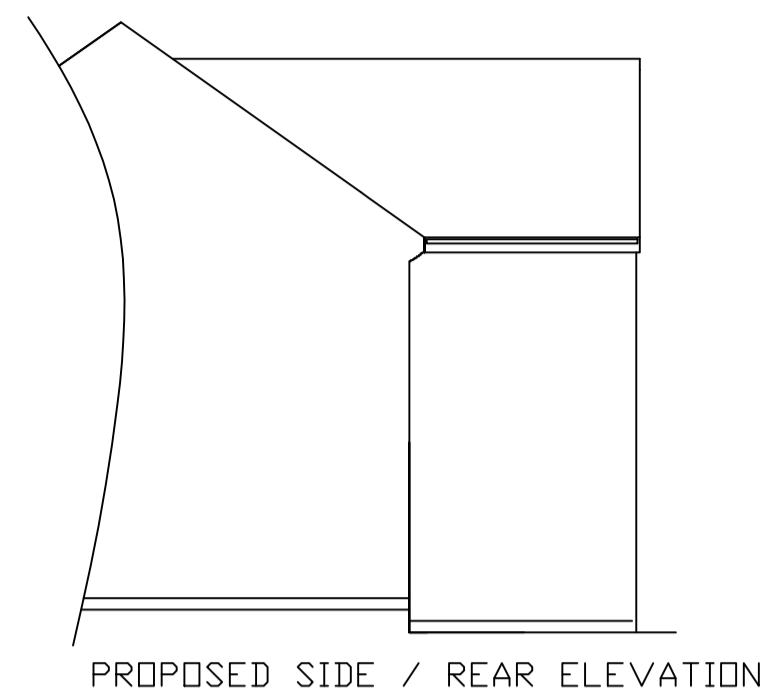
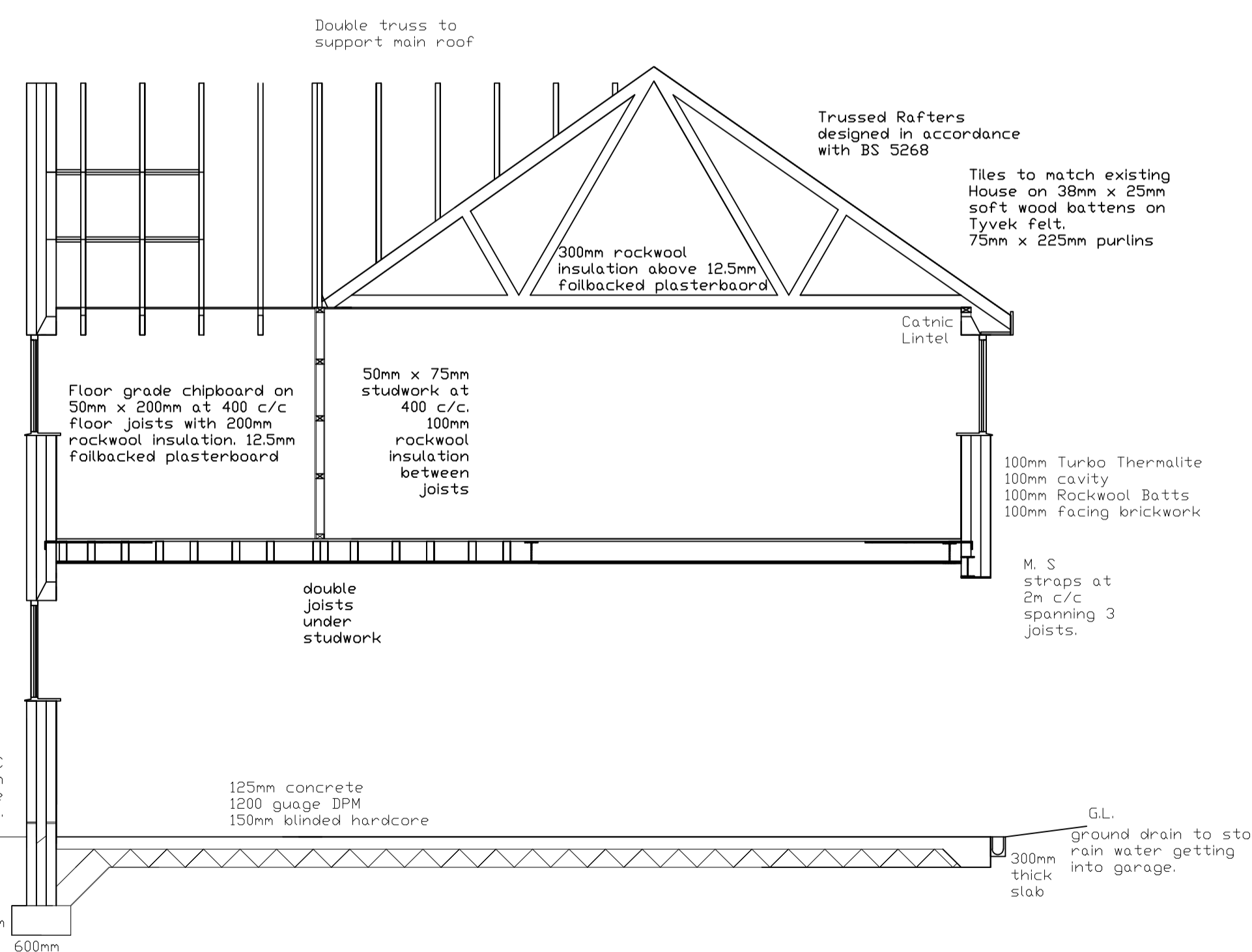
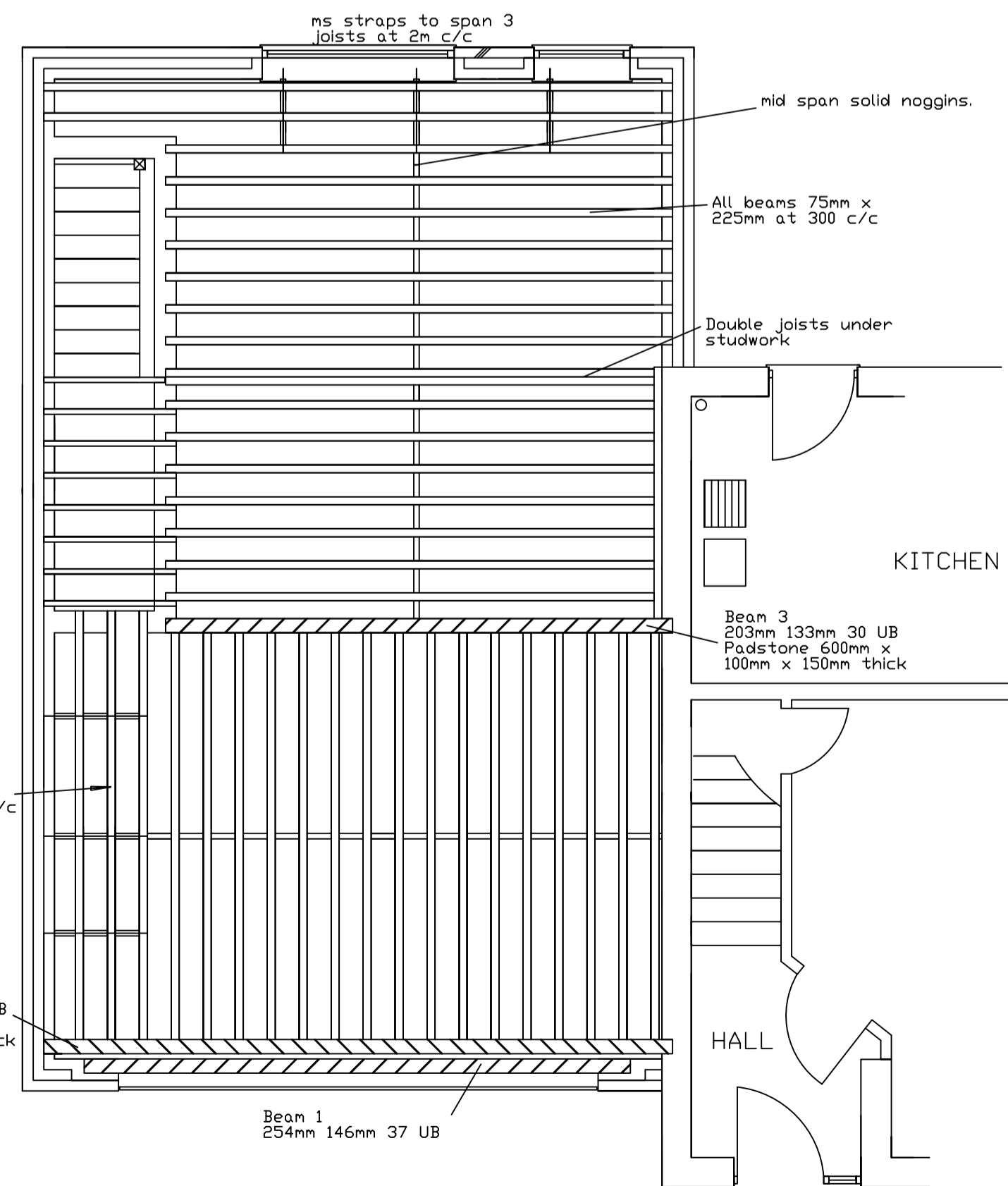


ROOF TRUSS DETAIL

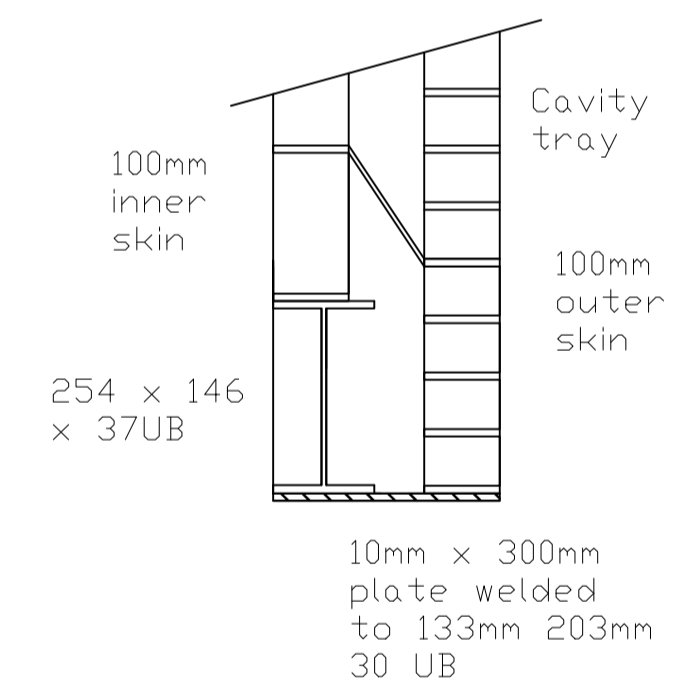


Staircase
Purpose made softwood. 42 degree angle max. 2000mm headroom minimum. Spacing of vertical balustrade 90mm minimum 900mm high on stairs and 900mm on landings.
Overall height = 2600 / 13 risers. 200mm risers, going 200/tan42=222. 2R+G=622 (550-700).
Thus riser 200mm going 222mm.
Calculations for Building Regulation approval only. SPECIALIST TO DESIGN AND BUILD TO COMPLY WITH REGS.

SECTION THROUGH STAIRS



SECTION THROUGH EXTENSION



BEAM OVER GARAGE DOOR

client	Mr and Mrs Harrison		
SITE ADDRESS	9 Bodiam Drive Toothill Swindon Wiltshire SN5 8BB		
PROJECT	Proposed Annex		
Drawn by	Phil Rand	Drawing No	02
Scale	1:50 1:100	Date	14th Nov 2010
		Paper size	A1

AAplans
Phil Rand
Cherry Tree House
Clardon lane
Purton.
Wiltshire
SN5 4HN
TEL 01793 771128